

## DBC-4 - 48"L x 51-1/2"H x 29-3/4"W DuraBoard® Tool Cart

Read all instructions completely before installing. Should you have any questions about your installation, please call Customer Service at 440-248-5480

Inventory and inspect all components before starting assembly (Use Parts Call Out figure 1-1 on page 3)  
Report any missing parts and/or damaged goods within 5 days from receipt

<u>QTY</u>	<u>Description</u>
------------	--------------------

- |      |  |
|------|--|
| (1)  | Aluminum Bottom Tray   |
| (2)  | Left Hand Aluminum Corner Angle brackets   |
| (1)  | Right Hand Aluminum Corner Angle bracket with holes for 4 handle holes with fittings |
| (1)  | Right Hand Aluminum Corner Angle bracket without attachment handle holes             |
| (2)  | Rail End Brackets interchangeable (With 4 preinstalled threaded fasteners)           |
| (1)  | Top Rail (48" Long)  |
| (2)  | Internal Center Braces (With 90° Bends on Ends)                                      |
| (1)  | Cart Handle  |
| (2)  | Fixed Casters  |
| (2)  | Swivel Casters   |
| (4)  | DuraBoard Sheets 24" x 48" x 1/4" (Polypropylene Pegboard)                           |
| (72) | 1/4"-20 X 3/4" Truss Head Bolts  |
| (16) | 1/4" Locknuts (for caster attachment)  |
| (4)  | 1/4"-20 x 1/2" Tapered Head Screws (For Handle Attachment)                           |
| (16) | 1/4" Flat Washers (for caster attachment)  |

**Note: While attaching components it's important to remember not to fully tighten any bolt or screw until system is fully assembled. Freedom of movement will allow for proper alignment between bolts and their associated preinstalled threaded fasteners. For assembly purposes, the END will always be the narrowest dimension of the cart.**

### Assembly:

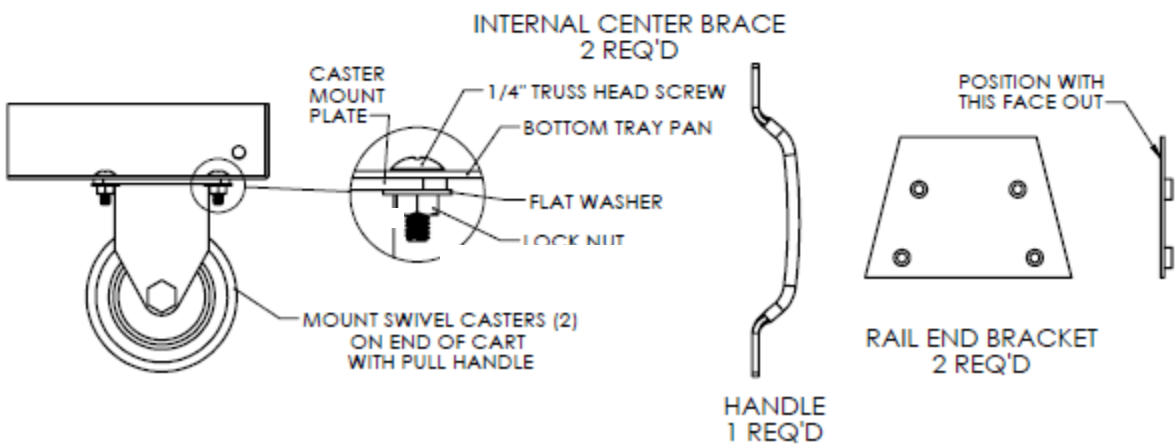
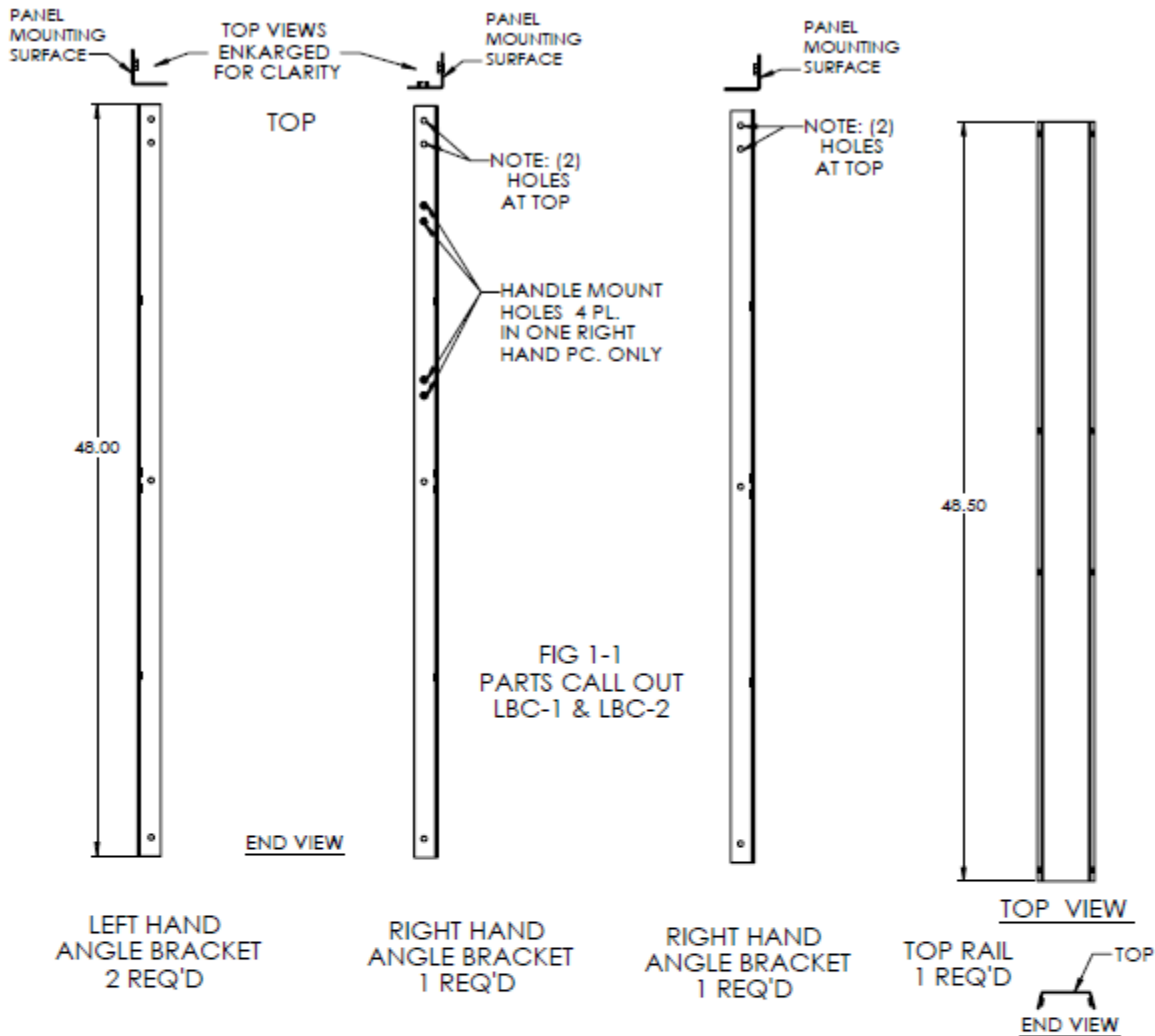
1. Locate the (4) corner angle brackets. (Using Parts Call Out figure 1-1 page 3 and close-up Figure 2-3 on page 4) Identify the left hand from the right hand angle bracket and their top edge from their bottom edge.) The top's edge can be identified by its 2 bolt holes when looking from the end view.
2. Position the bottom tray with its lip facing up and one end facing you.
3. (Refer to Figures 2-1, 2-2 and 2-3) Note: All corner angle brackets will install outside of the bottom tray. Starting with a left corner angle bracket and using 1/4" Truss head bolt with align end bolt hole in tray with pre-installed fastener with through-hole in angle bracket. Insert bolt with and hand tighten (Do not tighten all the way). From the front edge of the same angle bracket install a second Truss head bolt in the same manner. (Note: All corner bolts installed on the FRONT edge will be removed one at a time during the installation of the DuraBoard pegboard.) Repeat step #3 for each corner angle bracket.
4. (Refer to Figure 2-3) Using one rail end bracket; position rail end bracket inside of both the left and right installed corner angle brackets with preinstalled fasteners facing away from you. Align through holes in corner angle bracket with preinstalled fasteners on rail end bracket. Partially install (4) 1/4" bolts. Install bolts about half way only. (Repeat steps 2 thru 4 for opposite end.)

5. (Refer to Figure 2-1 and 2-3) Installing Top Rail: Top rail will be positioned between corner angle brackets installed at each end. Insert top rail from the underneath at slight angle and let set on bolts/fasteners of rail end brackets. Using holes located on the top front edge of corner angle bracket insert Truss head bolt through corner angle and into corner threaded insert in top rail. (Repeat for all four top corners.)
6. Installation internal center supports (Refer to Figures 1-1 parts call out, 2-1 and 2-4). Center support braces will be placed inside of angle brackets and run the length of the cart. (figure 2-4) Each center support will be installed with their flat edges without bolts facing up. From the end of each angle bracket install Truss head bolt center point at each end. (Repeat for opposite end.)
7. (Figure 2-3) Tighten all (4) top end bolts used to attach corner angle brackets to rail end brackets at both ends.
8. (Figure 2-1) Pull handle installation: Locate the right corner angle bracket with the 4 extra holes at the top. Install pull handle using  $\frac{1}{4}$ " tapered head bolts. (Note: handle will be positioned at end of tool cart that swivel casters will be installed on.)
9. (Figure 1-2) Installation of Casters: Swivel casters will be installed on the end of tool cart with handle: With cart on its side insert  $\frac{1}{4}$ " Truss head bolts washer through caster mount plate and through holes in bottom tray, install  $\frac{1}{4}$ " flat washer and secure in place using  $\frac{1}{4}$ " Truss head nut. Tighten securely after all 4 bolts have been installed. (Repeat for each caster.)
10. Installation of DuraBoard: Each 24"x48" sheet of DuraBoard (polypropylene pegboard) may require drilling mounting hole openings to  $\frac{1}{4}$ " oversized to assure holes will accept Truss head bolts to attach boards to pre-installed fasteners. Each board will be installed lengthwise (left to right.) From the front of the tool cart, remove Truss head bolt from the top left corner. Align the pre-drilled hole in the upper left-hand corner of the DuraBoard with bolt hole in angle bracket and fastener installed in top rail. Reinstall the  $\frac{1}{4}$ " Truss head bolt. (Repeat process for all (4) corner installations for each side). Locate balance of holes around the perimeter of the DuraBoard that align with pre-installed fasteners in corner angle brackets and center support and install  $\frac{1}{4}$ " Truss head bolts. Drill holes larger if necessary to attach DuraBoard to the fasteners in framing. (Keep all bolts loose until finished installing the DuraBoard.)
11. Once all fasteners have been installed around all DuraBoards, securely tighten all  $\frac{1}{4}$ " fasteners throughout assembled cart.

**Secure storage for all items can be achieved using DuraHook™ double locking pegboard hooks.**

**Warranty information:** Triton Products warrants to the original owner that this product is free from defects in material and workmanship for a period of two years from the date of the original purchase. If this product is defective when used as intended under normal household conditions within the specified period, Triton will replace the product, send a replacement part or issue a refund (at our option) when the consumer provides a proof of purchase (either a bill of sale, receipted invoice or other proof that the product is within the warranty period), along with a full description of the defect.

**Liability:** Triton Products and/or its Reseller's liability are limited to 100% of the purchase price of the product.



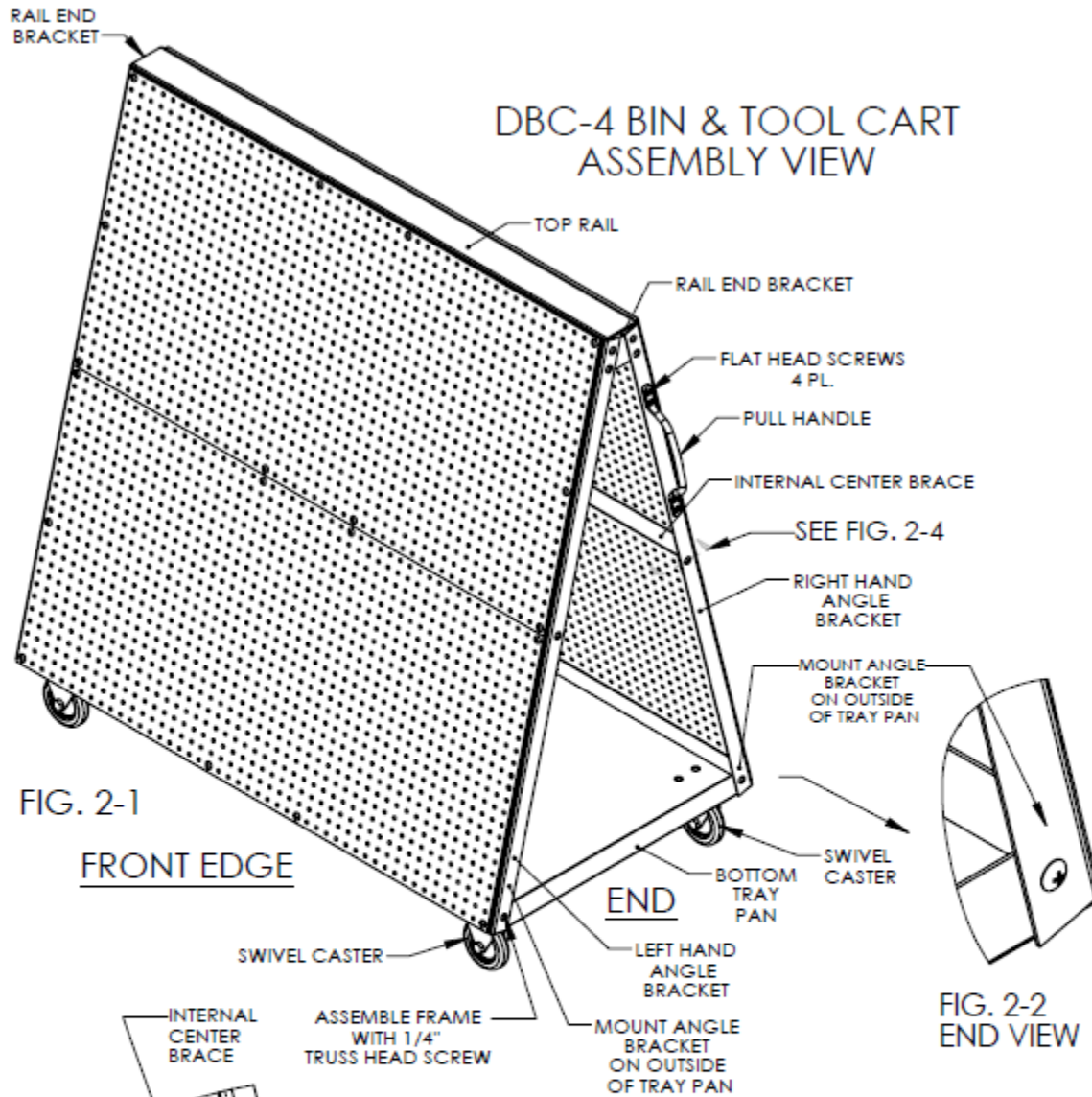


FIG. 2-1  
FRONT EDGE

FIG. 2-2  
END VIEW

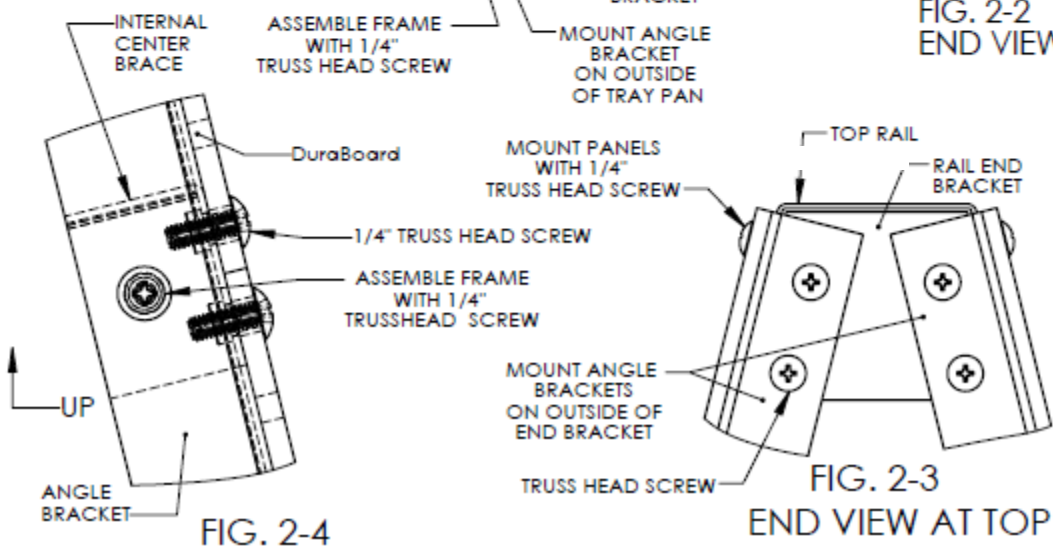


FIG. 2-4

FIG. 2-3  
END VIEW AT TOP

Please contact our Customer Service Division with any questions at:  
 30700 D Carter Street · Solon, OH 44139 · (P) 440.248.5480 · [support@tritonproducts.com](mailto:support@tritonproducts.com)  
 For a full line of products visit [www.tritonproducts.com](http://www.tritonproducts.com)