

## LB18-B, BK, T, W - (2) 18" x 36" x 9/16" LocBoard® Pegboards

Read all instructions completely before installing. Should you have any questions about your installation, please call Customer Service at 440-248-5480

- Boards can be positioned side by side or in separate location in vertical or horizontal mounting positions.
- LocBoards fasten directly to concrete, solid wood and hollow wall structures without the use of furring strips.
- LocBoards are designed with an internal mounting flange that keeps mounting hardware hidden from sight and adds to the board's structural integrity and holding power.
- If installing to bare studs you will need to install wood headers before completing installation.
- You will need mounting hardware to complete your installation. (NOT SUPPLIED)

### **Hardware need for installation: (NOTE DO NOT USE Tapered Head Screws.)**

1. For hollow or concrete block wall: Quantity=12 Each #8- 2" long Phillips pan head machine screws and #8 plastic commercial grade wall anchors. Head diameter size of screws should not exceed .35" in order to fit through square holes in front of boards.
2. For wood stud or wood headers: Use #8-2" long wood screws with Phillips pan heads

### **Tools needed for Installation:**

Level, Marker, 7/32" standard or masonry drill bit, 7/64" std bit for wood studs, #2 Phillips head screw driver, power drill.

### **LocBoard Installation:**

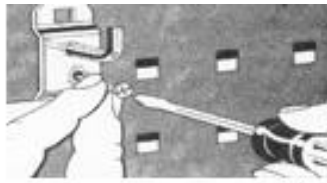
**For drywall, hollow concrete wall installation:** Use (12 each) plastic drywall anchors and #8 Phillips head wood screws (NOT SUPPLIED WITH THIS SYSTEM). If installing to bare studs you will need to install wood headers before completing installation using wood screws only. NOTE: Always install one board at a time.

1. Select wall location for your LocBoards and the desired vertical or horizontal mounting pattern you wish to mount in. When selecting a location for mounting always make sure that mounting locations do not fall in line with, are adjacent to, or interfere with any internal or external electrical wiring, wall mounted or built-in electrical appliances, heaters, gas lines, ductwork or plumbing inside of wall, or are located on the opposite side of any wall surface from where you are mounting. If you are unsure, please consult a professional before proceeding with installation.
2. (Using Images on Back) There are three screw holes in each mounting flange on the back of your LocBoard that are accessible through the square holes on the front.
3. Place 1 LocBoard with mounting flanges flat against wall surface. While using a level to make sure your board is straight and squared, looking through the square holes on the front of the board, mark the centers of all 6 screw holes onto your wall surface. Note: Installation for first board should be completed before marking mounting holes for the second board.
4. Pre-drill holes for #8 wall anchors marked in Step 3 using 7/32" standard or masonry drill bit depending on wall surface. If you hit a wood stud stop drilling and using a 7/64" drill bit create a pilot hole for the wood screw Note: Avoid over drilling holes. (Plastic wall anchors should fit snug.)
5. Insert plastic wall anchors in each hole drilled in Step 4 except where you drilled 7/64" pilot hole for wood stud.
6. Align mounting holes in wall surface with screw holes in back flanges. Insert wood screws through the front square opening and into pre-installed plastic wall anchors. Tighten all screws. The head of each screw should not be visible and will be tight against inside surface of each mounting flange.
7. Repeat Steps 2-6 for second LocBoard installation.

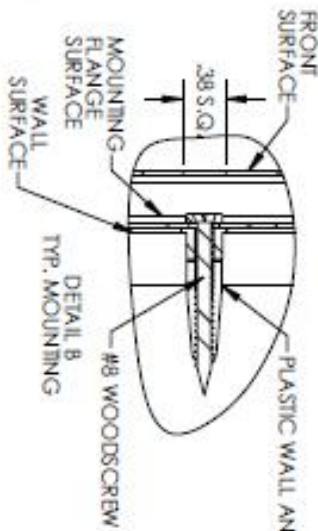
### **Hook Installation:**

Insert hooks back locking tabs into front square openings of tool board, slide securely into place and complete installation by installing the required number of LocScrews system with hooks. (Hooks not supplied with LB18-W.) Each **LocHook™** has the unique capability of being securely mounted vertically or horizontally. LocBoards must be securely fastened to sound wall structures to support heavy load.

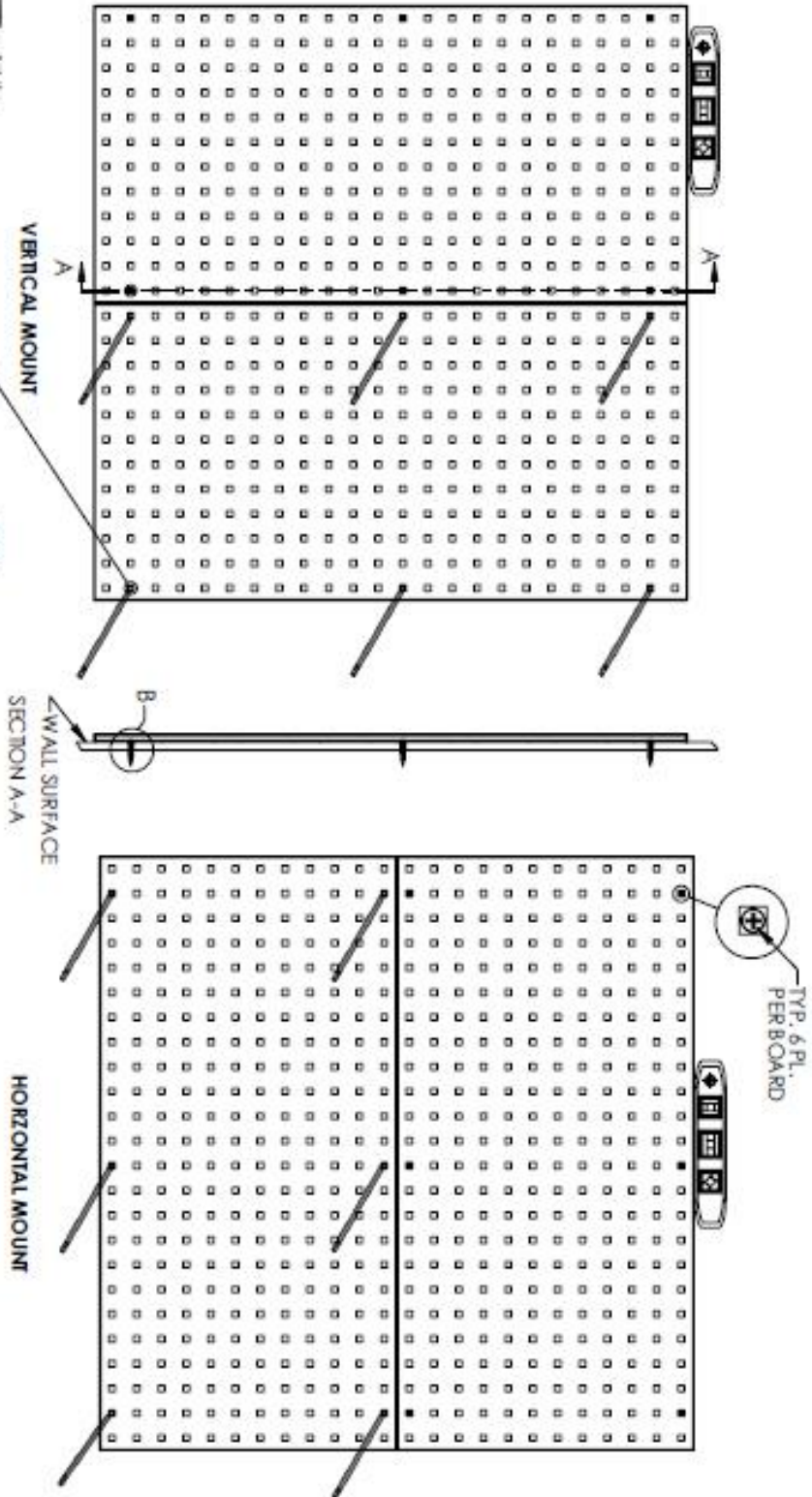
## MOUNTING INSTRUCTIONS FOR LB18-B, BK, T, W



LOOKING THROUGH SQUARE HOLES ON THE FRONT, MARK THE CENTERS OF THE ROUND HOLES IN THE MOUNTING FLANGE ONTO WALL SURFACE



**MOUNTING INSTRUCTIONS**  
**MOUNT BOARDS SIDE BY SIDE**  
**OR IN SEPARATE LOCATIONS**



Please contact our Customer Service Division with any questions at:  
30700 D Carter Street · Solon, OH 44139 · (P) 440.248.5480 · [support@tritonproducts.com](mailto:support@tritonproducts.com)

For a full line of products visit [www.tritonproducts.com](http://www.tritonproducts.com)