

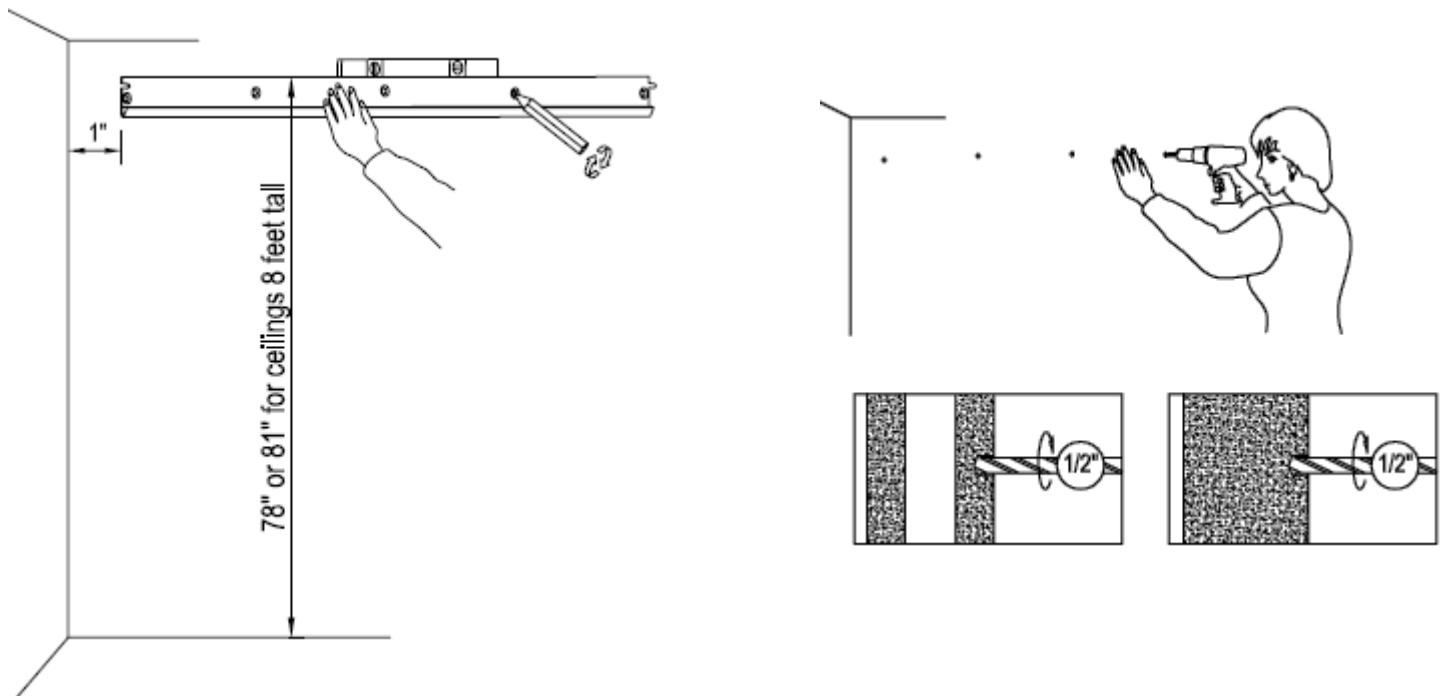
1701 Top Track Wall Frame & Hardware

Read all instructions completely before installing. Should you have any questions about your installation, please call Customer Service at 440-248-5480

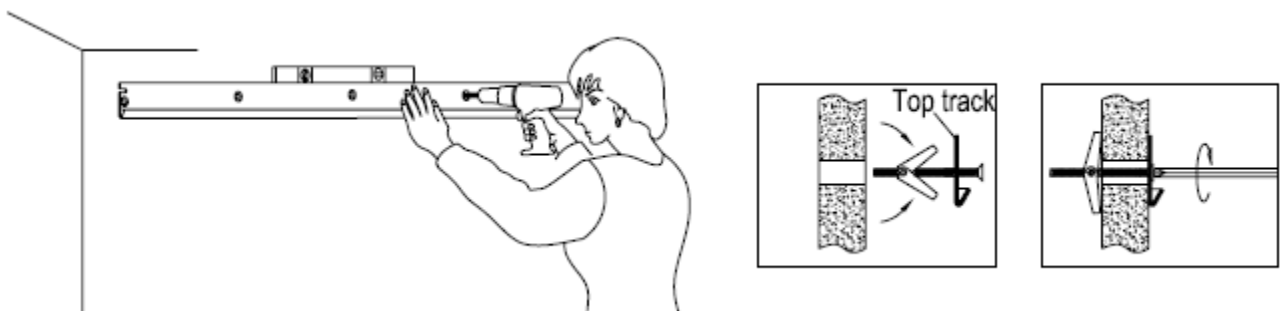
Tools needed for this installation (Not Supplied with Kit)

Lever - Pencil or marker - Phillips head screw driver – Electric drill – ½" Standard drill bit for hollow wall installation – Safety glasses – 5/16" Masonry bit for concrete block installation – 1/16" Standard drill bit for stud wall installation – Tape measure

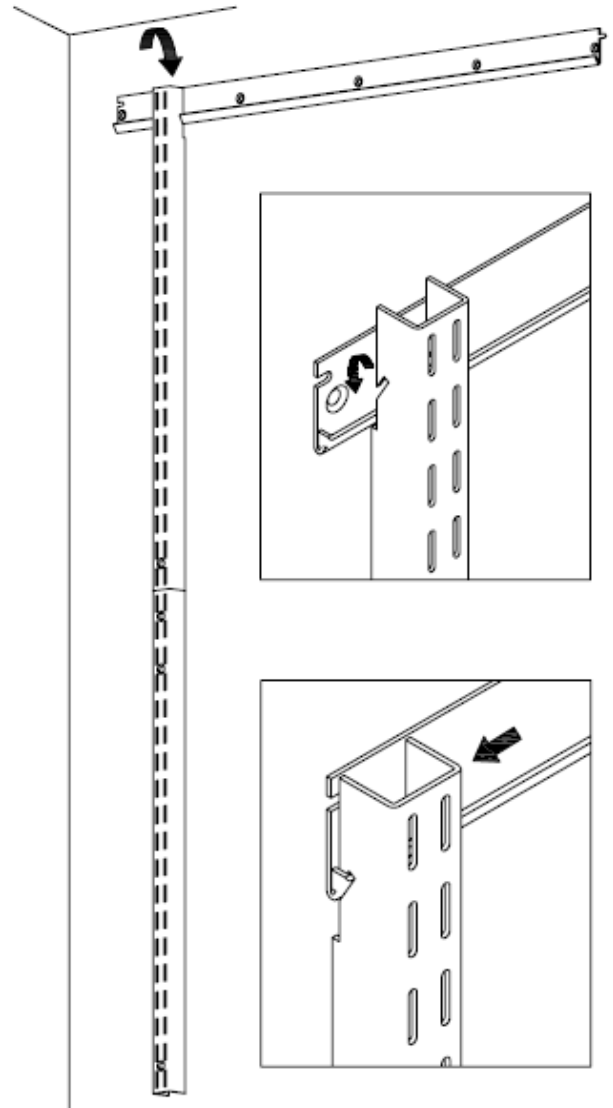
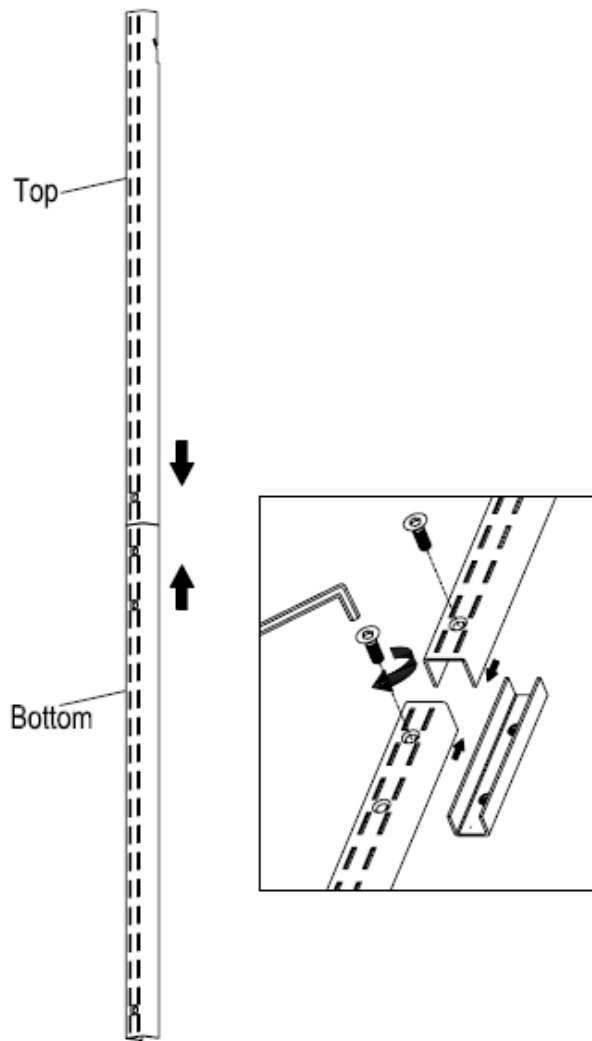
Hang Rail Model #1701 must be used with Top Track 1700 (Shown below purchased separately)



Top track already installed



Mounting Hangrails (either section) attach to Top Track



(above) assemble with hang rail slotted ends to outside
Make sure notches are at the far end of assembled hang
rail and space the hang rails on the Top Track 30-3/8"
apart measured inside (between) the hang rails

Installation & Assembly Instructions

Mount hang rails but do not fully tighten to wall until accessories are mounted assuring spacing is correct.

