

## LBC-4, LBC-4B - 48"L x 46"H x 26-5/8"W LocBoard® Tool Cart

**Read all instructions completely before installing. Should you have any questions about your installation, please call Customer Service at 440-248-5480**

- **Inventory and inspect all components before starting assembly (Use figure 1-1 page 3)**
- **Report Any Missing Parts and/or Damaged Goods within 5 Days from Receipt**

**QTY    Description**

- (1) Anodized Aluminum Bottom Tray
- (2) Left Hand Anodized Aluminum Corner Angle brackets
- (1) Right Hand Anodized Aluminum Corner Angle Bracket with 4 holes for handle attachment
- (1) Right Hand Anodized Aluminum Corner Angle Bracket without holes for handle attachment
- (2) Rail End Brackets interchangeable (Triangular with 4 preinstalled threaded fasteners)
- (1) Top Rail (48" Long)
- (1) Cart Handle
- (2) Fixed Casters
- (2) Swivel Casters
- (4) Epoxy coated steel LocBoard Pegboard w/ square holes 24" X 42.5"
- (28) 1/4"-20 X 3/4" Truss Head Bolts (16 for casters, 8 for rail end brackets, 4 for outside of uprights)
- (12) 1/4"-20 x 1/2" Tapered Phillips flat head screws. (4 For Handle Attachment, 8 for inside of uprights where boards attach.)
- (26) 12-24X 1/4" Socket Head Cap Screws (For Attachment of LocBoards.)
- (16) Flat Washers for Casters
- (16) 3/4" Locknut

**Note:** While attaching components it's important to remember not to fully tighten any bolt until system is fully assembled. Freedom of movement will allow for proper alignment between bolts and their associated preinstalled threaded fasteners. Tapered Flat head screws with under-cut head used for attachment of corner angle brackets on the FRONT edge will be tightened just before installation of LocBoards. For assembly purposes the END will always be the narrowest dimension of cart.

**Assembly:**

1. Locate the (4) corner angle brackets. Using Parts Call-Out figure 1-1 page 3, identify the left from the right brackets and their top edge from their bottom edge. The top's edge can be identified by the angle cut into each bracket and its 2-top bolt mounting holes when looking from the END view.
2. Position the bottom tray with the lip facing up and one end facing you. Special Note: the end of the bottom tray with caster mounting holes pattern running parallel to the end lip will be the end that you will mount swivel casters and right-hand angle bracket with pull handle.
3. (Refer to Figure 2-1, 2-2 and 2-3) Note: All corner angle brackets will install outside of the bottom tray lip. Starting with a left corner angle bracket and using 1/4"-20 X 3/4" Truss Head Bolts align bottom bolt hole in angle bracket with pre-installed threaded fastener on the left end of bottom tray and insert bolt with hand tighten (Do Not Tighten All The Way). From the front edge of the same angle bracket install a 1/4"-20 x 1/2" Tapered Phillips flat head screw. (Repeat step #3 for each corner bracket.)
4. (Refer to Figure 1-1, 2-1 and 2-4) Installing Top Rail: Top rail will be positioned inside both sets of installed corner angle brackets at each end. From the front edge install 1/4"-20 x 1/2" Tapered Phillips flat head screws through top counter sunk holes on front side of each corner angle bracket and into preinstalled threaded inserts in the top rail and tighten. (Repeat step #4 for all top corners angle attachments to top rail.)

Please contact our Customer Service Division with any questions at:  
 30700 D Carter Street · Solon, OH 44139 · (P) 440.248.5480 · [support@tritonproducts.com](mailto:support@tritonproducts.com)

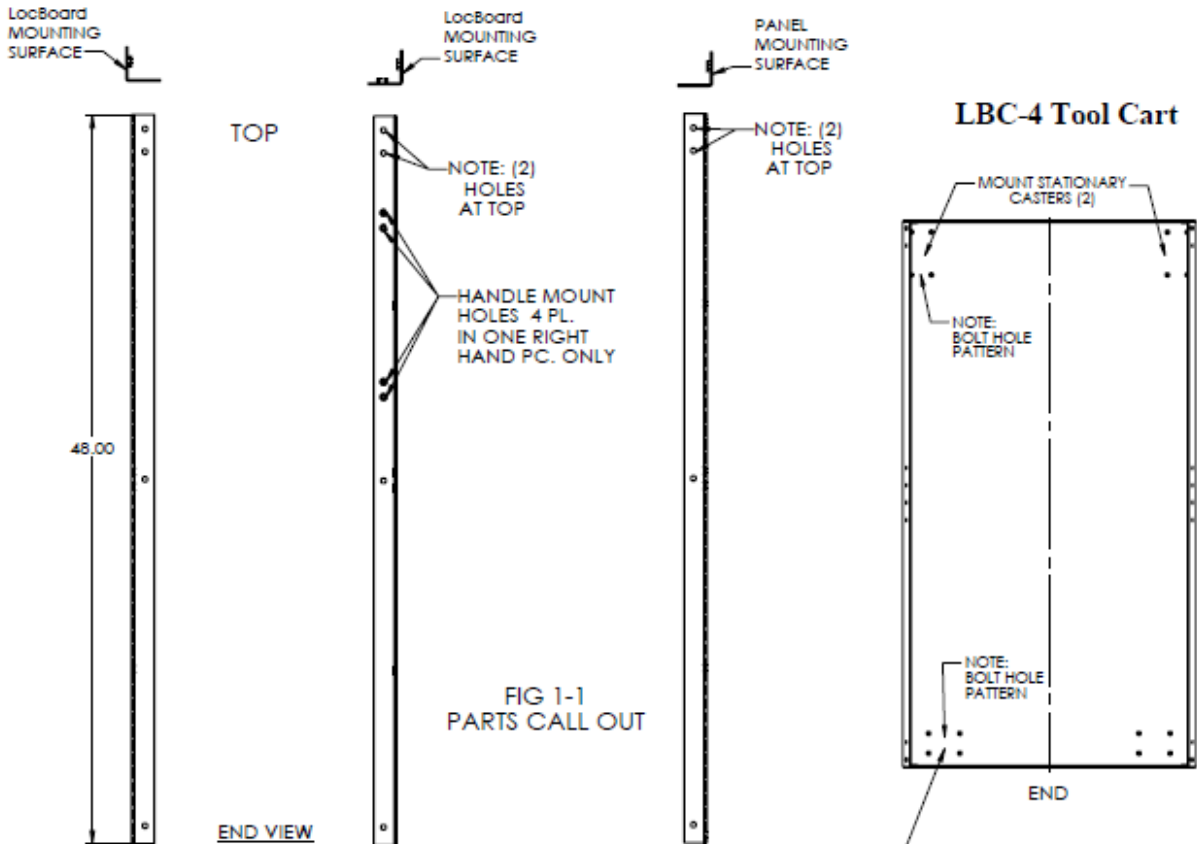
For a full line of products visit [www.tritonproducts.com](http://www.tritonproducts.com)

5. (Refer to Figure 1-1 and 2-4) Attaching rail end bracket to top rail and corner angle brackets; Position end bracket with taper facing up and preinstalled fasteners facing inward (flat surface of end bracket with the flat inside surface of angle brackets.) Slide end bracket in and behind both right and left corner angle brackets. Align the four bolt holes of each corner angle bracket with the preinstalled fasteners on rail end bracket. Install (4) 1/4"-20 X 3/4" Truss Head Bolts and tighten partially. (Repeat step #5 for opposite end.)
6. (Figure 2-1 and 2-3) Tighten all (8) 1/4"-20 x 1/2" Tapered Phillips flat head screws on the front side used to attach corner angle brackets to top rail and bottom tray. (These will be the only screws tightened at this time. All end bolts must remain loose.)
7. (Figure 2-1) Pull handle installation: Locate the right corner angle bracket with the 4 extra fastener holes at the top. Install pull handle using 1/4"-20 x 1/2" Tapered Phillips flat head screws. (Note: Handle will be positioned at end of tool cart that swivel casters will be installed on.)
8. (Figure 1-2 and 2-1) Installation of Casters: (Note: Bottom tray has two different bolt patterns for casters.) Swivel casters will be installed on the end of tool cart with handle and bolt patterns that are slightly inset and parallels the END section of the cart. With end of cart raised or laying on its side insert 1/4"-20 X 3/4" truss head bolts with flat washer through bottom side of caster mount plate and through holes in bottom tray, install flat washer and secure in place using 1/2" lock nut. Tighten securely after all 4 bolts have been installed. (Repeat for each caster.)
9. (Figure 2-1, 2-4, 2- and 2-7) Installation of LocBoard: Before attaching LocBoards tighten the 1/4"-20 X 3/4" Truss Head Bolts in all 4 corner angle brackets on both sides of the cart. Mounting holes will be accessed from the front side through the square holes in each board. (Using figure 2-4, 2-6 & 2-7) Identify the top of the pegboard from its bottom. From the front of the tool cart with smooth surface of LocBoard facing you, align the outside 4th hole down on the pegboard with the corresponding hole on the angle bracket. Using an Allen wrench, insert 12-24 X 1/4" socket head cap screw. (Make sure fasteners go in straight and turn without restriction. Avoid stripping while installing. You may have to move board slightly to allow screws to turn freely.) Tighten until screw head is just below surface of the board. Align the 3rd hole down from the inside top corner of the pegboard with the corresponding hole on the top rail. Using an Allen wrench, insert 12-24 X 1/4" socket head cap screw. (Make sure fasteners go in straight and turn without restriction. Avoid stripping while installing. You may have to move board slightly to allow screws to turn freely.) Install the socket head cap screws in the outside 3rd hole from the bottom corner and 2nd hole up from the bottom inside corner of the pegboard into the bottom tray in the same manner as the top. Install the socket head cap screws in the outside 11th hole down from the top of the pegboard and 10th hole up from the bottom of the pegboard into the angle bracket in the same manner as the outside four. (Keep all screws loose until finished installing all (4) LocBoards.)
10. Once finished installing all (4) LocBoards, finish assembly by securely tightening all fasteners throughout assembled cart.

**Secure storage for all items can be achieved using LocHook® locking pegboard hooks.**

**Warranty information:** Triton Products warrants to the original owner that this product is free from defects in material and workmanship for a period of two years from the date of the original purchase. If this product is defective when used as intended under normal household conditions within the specified period, Triton will replace the product, send a replacement part or issue a refund (at our option) when the consumer provides a proof of purchase (either a bill of sale, receipted invoice or other proof that the product is within the warranty period), along with a full description of the defect.

**Liability:** Triton Products and/or its Reseller's liability are limited to 100% of the purchase price of the product.



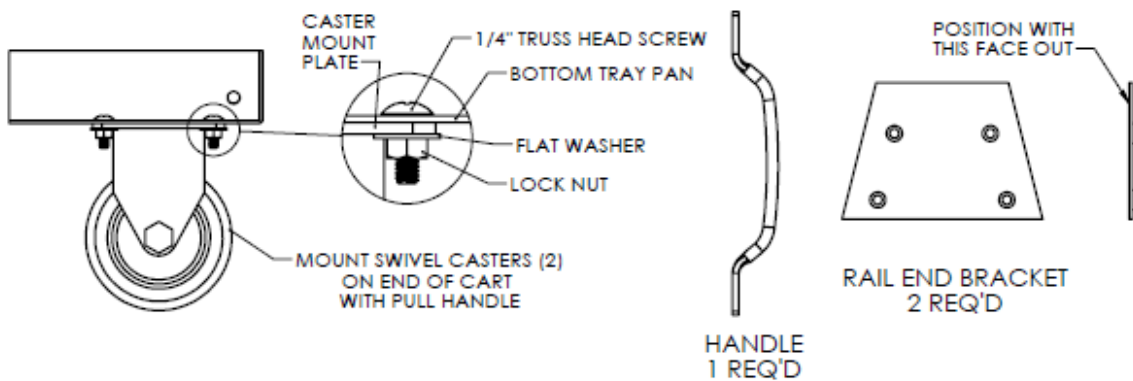
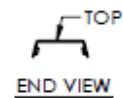
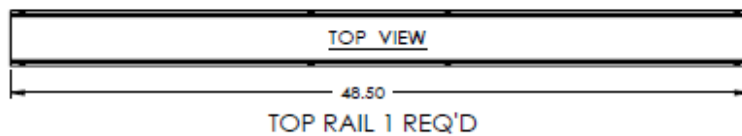
LEFT HAND ANGLE BRACKET  
2 REQ'D

RIGHT HAND ANGLE BRACKET  
1 REQ'D

RIGHT HAND ANGLE BRACKET  
1 REQ'D

BOTTOM TRAY PAN  
1 REQ'D

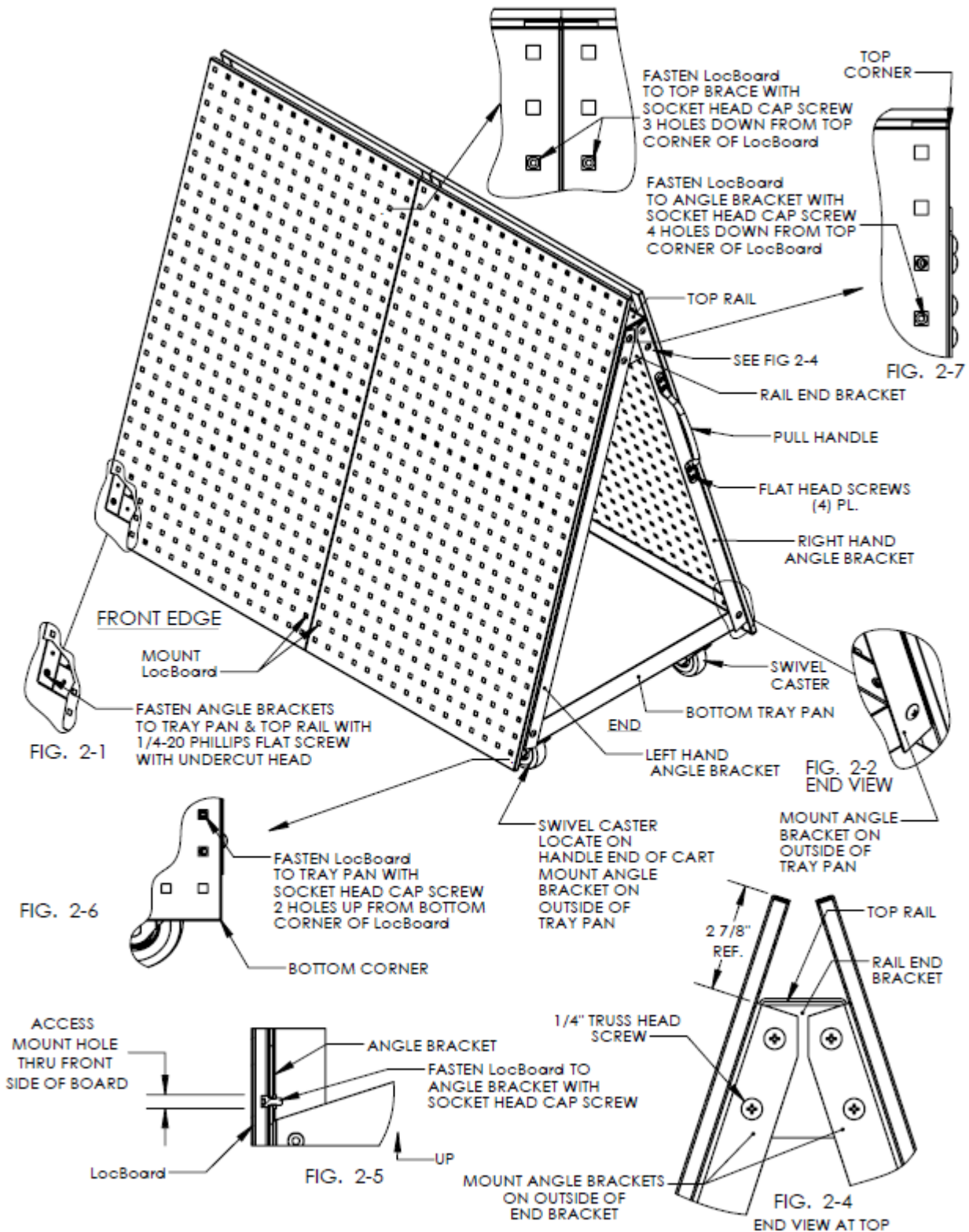
MOUNT SWIVEL CASTERS (2)  
ON END OF CART  
WITH PULL HANDLE



Please contact our Customer Service Division with any questions at:  
30700 D Carter Street · Solon, OH 44139 · (P) 440.248.5480 · [support@tritonproducts.com](mailto:support@tritonproducts.com)

For a full line of products visit [www.tritonproducts.com](http://www.tritonproducts.com)

## LBC-4 Tool Cart Assembly View



Please contact our Customer Service Division with any questions at:  
 30700 D Carter Street · Solon, OH 44139 · (P) 440.248.5480 · [support@tritonproducts.com](mailto:support@tritonproducts.com)

For a full line of products visit [www.tritonproducts.com](http://www.tritonproducts.com)