

1725 Storability® 31 In. W Adjustable Depth Gray Epoxy Coated Steel Tire Holder

Read all instructions completely before installing. Should you have any questions about your installation, please call Customer Service at 440-248-5480. Missing and damaged parts must be reported within 5 days from receipt of delivery.

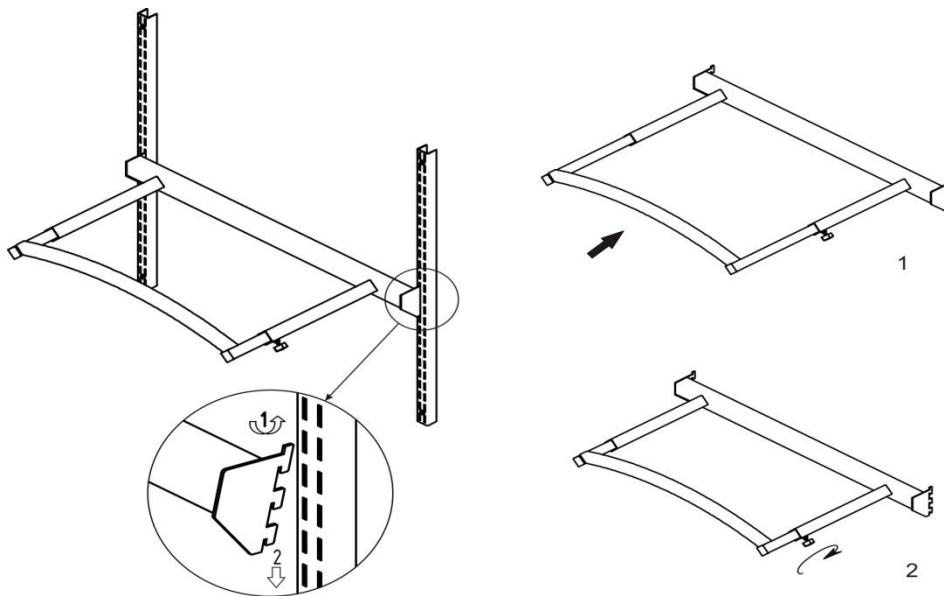
Tools needed for this installation (Not Supplied with Kit) – Level – Tape Measure

Parts Listing

Part Number	Quantity	Description
1725	1	Universal adjustable storage rack/tire Holder

Model 1725 mounts onto 2 hang rail sections spaced 30-3/8" apart measured inside (between) hang rails. Triton 1700 Top Track and 1701 Hang Rail sections purchased separately.

Accessory Installation: Always make sure to install accessories level and into the identical height inside slots in both hang rails spaced 30-3/8" I.D. Binding can occur if not level. If accidental binding occurs use soft rubber mallet to help remove accessory and protect the paint. Insert and remove item on hang rails at an angle pushing up into the slots and then pushing in the bottom connection point to lock in or re-position. Push up and angle out bottom tabs to remove.



Angle out to attach or remove

Adjustable

Please contact our Customer Service Division with any questions at:
 30700 D Carter Street · Solon, OH 44139 · (P) 440.248.5480 · support@tritonproducts.com

For a full line of products visit www.tritonproducts.com