



STRENGTH IN ORGANIZATION™

Thank you for your purchase!

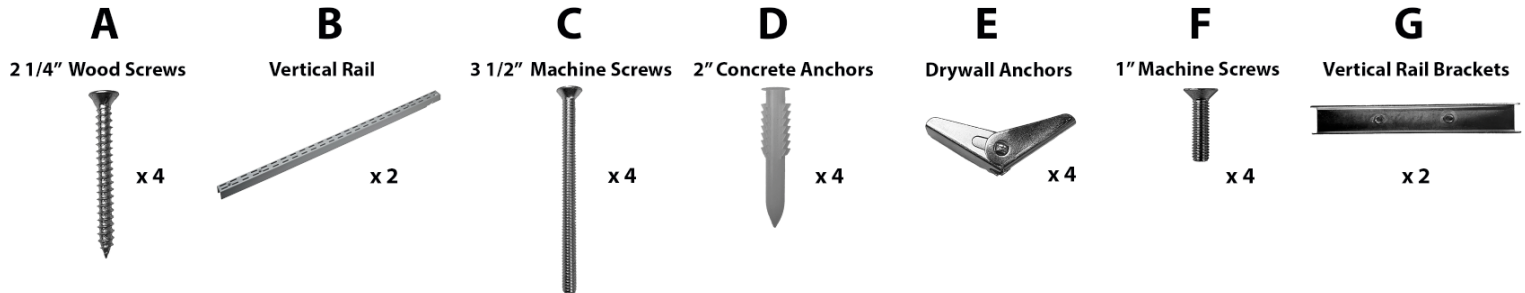
If you have any problems with your order, please contact us first and we will make it right.

support@tritonproducts.com or call us at 440.248.5480

Checkout our new website! <http://tritonproducts.com>

1701 Storability® Installation Instructions

Package Contents:



Recommended Tools for Drywall Installation

- Drill
- 1/2" Drill Bit
- 1/8" Drill Bit
- #3 Philips Bit for Drill
- Level
- Pencil
- Stud Finder
- Tape Measure

Recommended Tools for Concrete Installation

- Hammer Drill
- Center Punch
- 5/16" Masonry Drill Bit
- 1/8" Masonry Drill Bit
- #3 Philips Bit for Drill
- Level
- Pencil
- Tape Measure

These instructions assume your 1700 Top Track is already installed, or you are expanding your system by extending your vertical rails (Step 4 in these instructions), or you are adding an additional column of vertical rails. If you need further guidance, you can refer to the product instructions for the 1700, 1740, 1785 and 1799 at <http://tritonproducts.com/literature>

Step 1. Place vertical rails at the very end of each side of the top track as shown below in **Fig. 1**. Make sure the rails are level as shown in **Fig. 2** and mark holes #1 and #2 as shown in **Fig. 3** on **Page 2**.

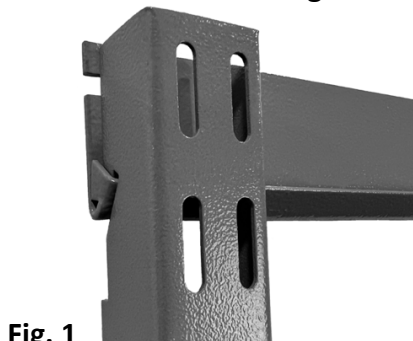


Fig. 1



Fig. 2

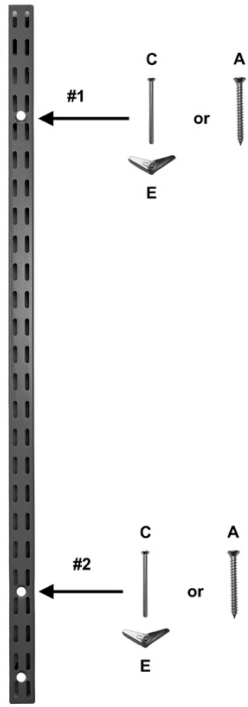
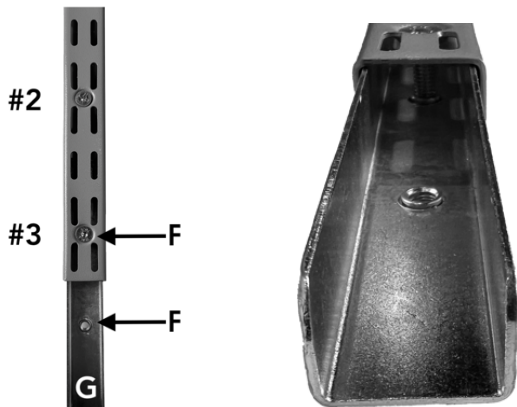


Fig. 3

Step 2. Drill the appropriate holes in all 4 locations for the vertical rails. For studs **(A)** drill an 1/8" pilot hole, for anchors **(C & E)** drill a 1/2" hole.

Step 3. Fasten vertical rails to the wall making sure they stay level and seated properly in the top track.

Step 4. (extending existing vertical rails) Slide vertical rail brackets **(G)** into the bottom of your existing vertical rails and attach with screw **(F)** into hole **#3** in the orientation shown below. Do not tighten all the way just yet.



Step 5. Place the next set of vertical rails up with holes #2 and #3 positioned at the top and temporarily attach them with screw **(F)**. Make sure each vertical rail is level with the top one and mark holes **#1** and **#2** on each vertical rail, now repeat steps 2 and 3 above.

Step 6. Now that your 2 vertical rails are fastened you can tighten up all 4 **(F)** screws.

Congratulations on installing your Storability® 1701!